



Product Description

The MarineSitu UVC1 light is designed to prolong the life and maintain data quality of your long-term monitoring equipment by preventing biofouling. Lightweight and ruggedized for extensive underwater deployments, the UVC1 will ensure your sensitive instrumentation stays clear!

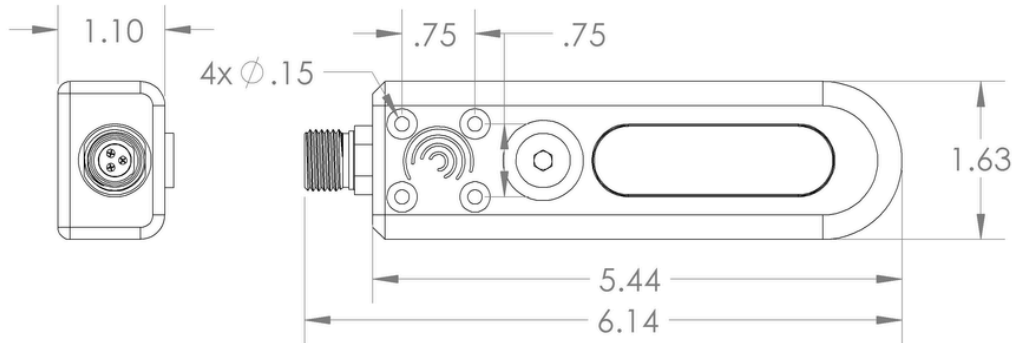


Features

- 5 high-powered LEDs to keep biofouling at bay
- Small form factor and mounting holes for easy integration with any sensor
- Corrosion resistant design



Technical Specifications



*Dimensions in inches

Optical	LED	5x UVC LEDs
	Total Nominal Optical Power	25mW @ IF=200mA
	Wavelength	275nm
	LED Beam Angle	140 degrees
Electrical	Voltage	12 VDC
	Current	200 mA
	Power	2.4 W
Mechanical	Housing Materials	Acetal housing, anodized aluminum back plate, quartz lens
	Connector	Blue Trail Engineering COB-1130-SS
	Vent Plug	SAE-4
	Depth Rating	100 m
	Weight in Air	0.28 kg
	Weight in Water	0.20 kg

MarineSitu is here to help with your next mission.

Please contact us for more information about our products and services.