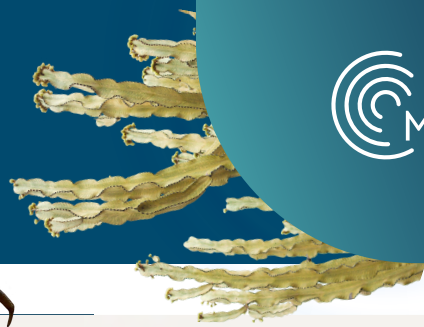
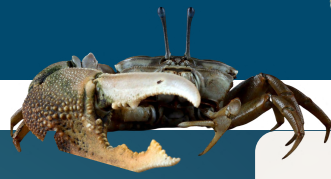


L1 – LED Light



Product Description

The MarineSitu L1 high-power LED light uses a CREE CBX3950 array capable of producing over 14,000 lumens. The compact housing is designed to be corrosion and biofouling resistant with simple mounting options for easy integration into any platform. Strobe and PWM trigger options allow for simple light control while a thermal regulator prevents overheating. When combined with the MarineSitu Camera Controller, C1 machine vision cameras, and BlueAI image acquisition and data processing software, the system is highly configurable to meet the most demanding applications.



Benefits

- Proven design for long-term deployment survival
- Low-cost and user-friendly for simple system integration
- Compact housing design with dissimilar metal isolation
- LED options for light wavelength/color
- Strobe and PWM triggering for light control



Applications

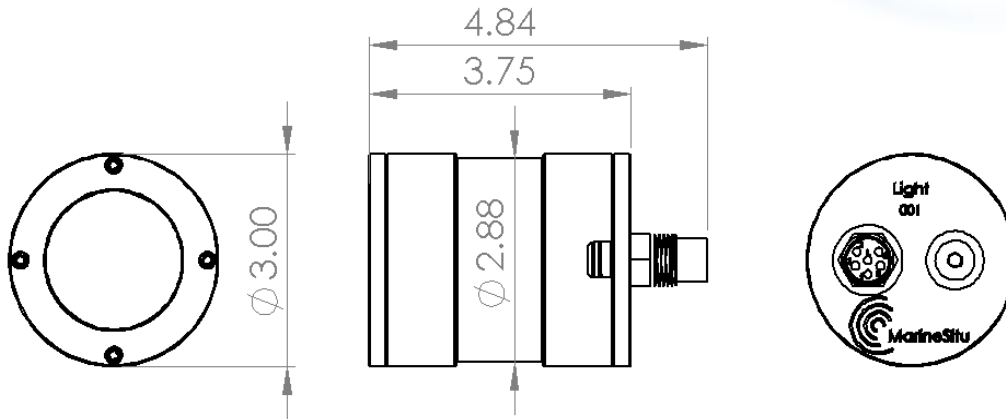
- Long-term deployments
- Marine energy monitoring
- Fish passage monitoring
- Aquaculture
- Underwater vehicles and docking stations
- Research and development



Features

- Cree CBX3950 high-efficiency LED array
- Anodized aluminum housing with acetyl endcap
- Double O-ring seals with monofilament retainer
- Scratch-resistant, annealed borosilicate glass viewport
- Flush viewport with antifouling copper retaining ring
- SAE-4 standard vent port
- Power indicator LED on back

Technical Specifications



Optical	LED	CREE CBX3590 Array
	Max Lumens	14,000
	Viewing Angle	115°
	Efficiency	162 lumens/watt
Electrical	Voltage	48 VDC
	Power	86.4 W at continuous illumination, ~12 W at 10% duty cycle
	Comms	TTL trigger lines
	Trigger Lines	Strobe and PWM inputs
Mechanical	Housing Materials	Anodized aluminum housing, acetal endcaps, borosilicate viewport with copper retaining ring
	Connector	SubConn 4-, 6-, or 8-pin micro circular bulkhead (MCBH 4, 6, or 8)
	Vent Plug	SAE-4
	Depth Rating	100 m
	Weight in Air	-
	Weight in Water	-

MarineSitu is here to help with your next mission.

Please contact us for more information about our products and services.